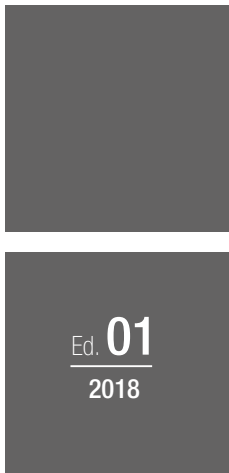




70 RT HP

Safety for any application

GEWISS



Ed. **01**
2018



70 RT HP

MAXIMUM PROTECTION

PERFORMANCE

70 RT HP is one of the most high performance solutions on the market, thanks to the use of high-performance materials, exceptional protection up to IP66/IP67/IP69 and time saving wiring and assembly.

RELIABILITY

The rotary switch disconnecter is at the heart of the new product. In fact, this device offers a high degree of reliability when sectioning an electrical line/network, and has been designed to ensure optimal electrical performance, so even highly inductive motors can be moved under load (AC23A utilisation category).



70 RT HP is a new range of **surface mounted rotary isolators** available with **plastic** or **metal boxes**, in versions from 16A to 160A, for control or emergency applications. The range includes distribution board options for front-panel or DIN rail assembly, in 16 to 63A options, all of which can be equipped with auxiliary contacts.

These devices have been designed to **reduce wiring time**, simplifying installation, and offer **maximum safety and durability**, even in the most demanding conditions. The innovative protection level - **up to IP69** against the ingress of dust and water jets, means the 70 RT HP isolators range meet **the most demanding requirements**, even heavy-duty ones.

Applications:

- Air conditioning systems
- Lifts
- Ventilation and vacuum installations
- Industrial kitchens
- Technical rooms
- Industrial automation

SAFETY

70 RT HP features an improved, ergonomically-designed, robust switch which is ideal for heavy-duty applications. The innovative padlocking system, concealed within the switches, can only be operated using a tool, with space for up to 3 padlocks which can be locked in both ON and OFF positions (in the emergency version the switch can only be locked in the OFF position).

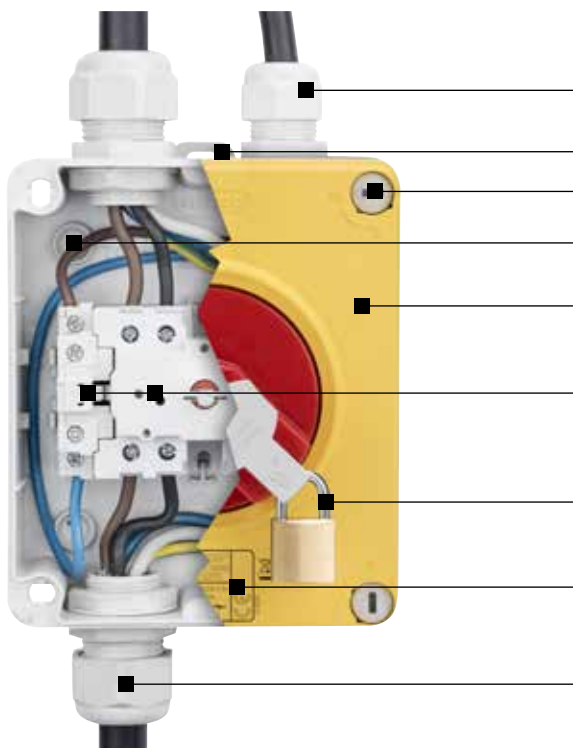
VERSATILITY

As well as surface-mounted versions, 70 RT HP is also available in a version for distribution boards: either front-panel installation or DIN rail assembly (EN50022). This means that the range is extremely flexible, as it can be installed in any of GEWISS' enclosures and distribution boards.



70 RT HP

With a modern and ergonomic design, combined with high impact resistance, UV protection, and protection against chemicals, means this range provides great performance and safety.



- Double metric inputs on the upper sides
- External fixing points
- ¼ turn sealable plastic screws
- Internal fixing points
- High performance material for strength and reliability, even in heavy duty applications
- All isolators from 16 to 160A can be fitted with auxiliary contacts
- New lockable system allowing the use of up to 3 locks in OFF position (also in ON position for control version)
- Technical product data and code applied by laser on front of product for easy identification
- Double metric inputs on the lower sides















Surface-mounted isolator in thermoplastic boxes: the main advantages

- **TOTAL PROTECTION:** These rotary switch isolators come in a thermoplastic box, and offer a degree of protection of IP66/IP67/IP69, thus ensuring that products are fully protected against dust and liquid, even with hot, high-pressure water jets, so they can be used in even the most demanding environments.
- **QUICK ASSEMBLY:** The plastic front of 70 RT HP closes with just four quarter-turn captive screws; a simple, innovative system to secure or remove the front much more quickly than any other system available on the market.
- **VERSATILE AND INNOVATIVE:** A host of technical solutions have been introduced with this new range, designed for easy installation: features such as the double metric inputs on the upper and lower sides, the external fixing points for surface mounting and plenty of internal space for cable wiring.

Surface-mounted isolator in metal boxes: the main advantages

- **ROBUST AND RELIABLE:** The metal box versions with protection up to IP66 are made in painted aluminium alloy, offering high levels of performance over time, even in the most critical and heavy-duty conditions.
- **READY FOR USE:** The metal box is pre-equipped with 4 external brackets for surface-mounting, maintaining the original IP rating even after installation. The bottom of all versions up to 80A are pre-drilled, ready to take metric cable glands.
- **ATEX VERSIONS:** The 70 RT HP range with metal box is completed with the addition of surface-mounted rotary isolators in an ATEX version from 16A to 100A, compliant with Directive 94/9/EC (which defines and regulates electrical systems in environments with potentially explosive atmospheres). The products in the range are available for 22D zones – enhancing our ATEX solutions, which include control devices, junction boxes and lighting equipment.

70 RT HP

| | | ISOLATORS - 70 RT HP RANGE | | | |
|------|-------|-------------------------------------------------------------------------------------|-------------------------------------------------------------------------------------|--------------------------------------------------------------------------------------|---------------------------------------------------------------------------------------|
| In | POLES | VERSION: SURFACE-MOUNTING IN PLASTIC BOX | | VERSION: SURFACE-MOUNTING IN METAL BOX | |
| | | CONTROL | EMERGENCY | CONTROL | EMERGENCY |
| | |  |  |  |  |
| | | Dim: 125 x 150 x 75,5 mm | Dim: 125 x 150 x 75,5 mm | Dim: 140 x 165 x 64 mm | Dim: 140 x 165 x 64 mm |
| 16A | 2P | GW 70 401 P | GW 70 431 P | GW 70 401 M | GW 70 431 M |
| | 3P | GW 70 402 P | GW 70 432 P | GW 70 402 M | GW 70 432 M |
| | 3P+N | GW 70 402 NP | GW 70 432 NP | GW 70 402 NM | GW 70 432 NM |
| | 4P | GW 70 403 P | GW 70 433 P | GW 70 403 M | GW 70 433 M |
| 25A | 2P | GW 70 416 P | GW 70 486 P | GW 70 416 M | GW 70 486 M |
| | 3P | GW 70 417 P | GW 70 487 P | GW 70 417 M | GW 70 487 M |
| | 3P+N | GW 70 417 NP | GW 70 487 NP | GW 70 417 NM | GW 70 487 NM |
| | 4P | GW 70 418 P | GW 70 488 P | GW 70 418 M | GW 70 488 M |
| 32A | 2P | GW 70 404 P | GW 70 434 P | GW 70 404 M | GW 70 434 M |
| | 3P | GW 70 405 P | GW 70 435 P | GW 70 405 M | GW 70 435 M |
| | 3P+N | GW 70 405 NP | GW 70 435 NP | GW 70 405 NM | GW 70 435 NM |
| | 4P | GW 70 406 P | GW 70 436 P | GW 70 406 M | GW 70 436 M |
| 40A | 2P | GW 70 413 P | GW 70 441 P | GW 70 413 M | GW 70 441 M |
| | 3P | GW 70 414 P | GW 70 442 P | GW 70 414 M | GW 70 442 M |
| | 3P+N | GW 70 414 NP | GW 70 442 NP | GW 70 414 NM | GW 70 442 NM |
| | 4P | GW 70 415 P | GW 70 443 P | GW 70 415 M | GW 70 443 M |
| | |  |  |  |  |
| | | Dim: 156 x 200 x 95 mm | Dim: 156 x 200 x 95 mm | Dim: 215 x 252 x 91 mm | Dim: 215 x 252 x 91 mm |
| 63A | 3P | GW 70 407 P | GW 70 437 P | GW 70 407 M | GW 70 437 M |
| | 3P+N | GW 70 407 NP | GW 70 437 NP | GW 70 407 NM | GW 70 437 NM |
| | 4P | GW 70 408 P | GW 70 438 P | GW 70 408 M | GW 70 438 M |
| 80A | 3P | GW 70 419 P | GW 70 489 P | GW 70 419 M | GW 70 489 M |
| | 3P+N | GW 70 419 NP | GW 70 489 NP | GW 70 419 NM | GW 70 489 NM |
| | 4P | GW 70 420 P | GW 70 490 P | GW 70 420 M | GW 70 490 M |
| | |  |  |  |  |
| | | Dim: 236,5 x 316 x 178 mm | Dim: 236,5 x 316 x 178 mm | Dim: 307 x 257 x 121 mm | Dim: 307 x 257 x 121 mm |
| 100A | 3P | GW 70 421 P | GW 70 491 P | GW 70 421 M | GW 70 491 M |
| | 3P+N | GW 70 421 NP | GW 70 491 NP | GW 70 421 NM | GW 70 491 NM |
| | 4P | GW70422P | GW 70 492 P | GW 70 422 M | GW 70 492 M |
| 125A | 3P | GW 70 423 P | GW 70 493 P | GW 70 423 M | GW 70 493 M |
| | 3P+N | GW 70 423 NP | GW 70 493 NP | GW 70 423 NM | GW 70 493 NM |
| | 4P | GW 70 424 P | GW 70 494 P | GW 70 424 M | GW 70 494 M |
| 160A | 3P | GW 70 425 P | GW 70 495 P | GW 70 425 M | GW 70 495 M |
| | 3P+N | GW 70 425 NP | GW 70 495 NP | GW 70 425 NM | GW 70 495 NM |
| | 4P | GW 70 426 P | GW 70 496 P | GW 70 426 M | GW 70 496 M |

(*) Versions for panel/door mounting can be accessorized with galvanized steel extending brackets GW 70 009.

NOTE: the dimensions showed above refer to the external dimensions of the boxes without considering the knob.

| ISOLATORS - 70 RT HP RANGE | | | | | ISOLATORS - 70 RT HP ATEX RANGE | |
|------------------------------------------------------------------------------------|-------------------------------------------------------------------------------------|-------------------------------------------------------------------------------------|-----------|-----------|---------------------------------------------------------------------------------------|---------------------------------------------------------------------------------------|
| Panel/door mounting* | VERSION: FOR BOARD | AUXILIARY CONTACTS | | | VERSION: SURFACE-MOUNTING IN METAL BOX | |
| | DIN rail mounting | 1NO + 1NC | 2NO | 2NC | CONTROL | EMERGENCY |
|  |  |  | | |  |  |
| | | | | | Dim: 140 x 165 x 63 mm | Dim: 140 x 165 x 63 mm |
| GW 70 001 | GW 70 201 | GW 70 026 | GW 70 027 | GW 70 028 | GW 70 451 | GW 70 471 |
| GW 70 002 | GW 70 202 | | | | GW 70 452 | GW 70 472 |
| GW 70 003 | GW 70 203 | | | | GW 70 453 | GW 70 473 |
| GW 70 004 | GW 70 204 | | | | GW 70 454 | GW 70 474 |
| GW 70 005 | GW 70 205 | | | | GW 70 455 | GW 70 475 |
| GW 70 006 | GW 70 206 | | | | GW 70 456 | GW 70 476 |
|  |  |  | | |  |  |
| | | | | | Dim: 215 x 252 x 91 mm | Dim: 215 x 252 x 91 mm |
| GW 70 007 | GW 70 207 | GW 70 026 | GW 70 027 | GW 70 028 | GW 70 457 | GW 70 477 |
| GW 70 008 | GW 70 208 | | | | GW 70 458 | GW 70 478 |
| | |  | | |  |  |
| | | GW 70 029 | | | Dim: 307 x 257 x 120 mm | Dim: 307 x 257 x 120 mm |
| | | | GW 70 459 | GW 70 479 | | |
| | | | GW 70 460 | GW 70 480 | | |
| | | | | | | |

70 RT HP

70 RT HP - SURFACE MOUNTING ROTARY ISOLATOR IN ISOLATING BOX - IP66/IP67/69

CONTROL VERSIONS



GW 70 406 P

SURFACE-MOUNTING ISOLATOR - CONTROL VERSION WITH LOCKABLE BLACK KNOB - IP66/IP67/IP69

| Code | No. of poles | Outer dim. LxHxD (mm) | Holes entry | Lid screws (no. and type) | Pack Carton |
|-------------------------------|--------------|--------------------------|-------------------------|------------------------------|----------------|
| Rated current (A): 16 | | | | | |
| GW 70 401 P | 2P | 125x150x75,5 | 2 x M20/25 + 2 x M20/25 | 4 insul. a 1/4 turn | 1/16 |
| GW 70 402 P | 3P | 125x150x75,5 | 2 x M20/25 + 2 x M20/25 | 4 insul. a 1/4 turn | 1/16 |
| GW 70 402 NP | 3P+N | 125x150x75,5 | 2 x M20/25 + 2 x M20/25 | 4 insul. a 1/4 turn | 1/16 |
| GW 70 403 P | 4P | 125x150x75,5 | 2 x M20/25 + 2 x M20/25 | 4 insul. a 1/4 turn | 1/16 |
| Rated current (A): 25 | | | | | |
| GW 70 416 P | 2P | 125x150x75,5 | 2 x M20/25 + 2 x M20/25 | 4 insul. a 1/4 turn | 1/16 |
| GW 70 417 P | 3P | 125x150x75,5 | 2 x M20/25 + 2 x M20/25 | 4 insul. a 1/4 turn | 1/16 |
| GW 70 417 NP | 3P+N | 125x150x75,5 | 2 x M20/25 + 2 x M20/25 | 4 insul. a 1/4 turn | 1/16 |
| GW 70 418 P | 4P | 125x150x75,5 | 2 x M20/25 + 2 x M20/25 | 4 insul. a 1/4 turn | 1/16 |
| Rated current (A): 32 | | | | | |
| GW 70 404 P | 2P | 125x150x75,5 | 2 x M20/25 + 2 x M20/25 | 4 insul. a 1/4 turn | 1/16 |
| GW 70 405 P | 3P | 125x150x75,5 | 2 x M20/25 + 2 x M20/25 | 4 insul. a 1/4 turn | 1/16 |
| GW 70 405 NP | 3P+N | 125x150x75,5 | 2 x M20/25 + 2 x M20/25 | 4 insul. a 1/4 turn | 1/16 |
| GW 70 406 P | 4P | 125x150x75,5 | 2 x M20/25 + 2 x M20/25 | 4 insul. a 1/4 turn | 1/16 |
| Rated current (A): 40 | | | | | |
| GW 70 413 P | 2P | 125x150x75,5 | 2 x M20/25 + 2 x M20/25 | 4 insul. a 1/4 turn | 1/16 |
| GW 70 414 P | 3P | 125x150x75,5 | 2 x M20/25 + 2 x M20/25 | 4 insul. a 1/4 turn | 1/16 |
| GW 70 414 NP | 3P+N | 125x150x75,5 | 2 x M20/25 + 2 x M20/25 | 4 insul. a 1/4 turn | 1/16 |
| GW 70 415 P | 4P | 125x150x75,5 | 2 x M20/25 + 2 x M20/25 | 4 insul. a 1/4 turn | 1/16 |
| Rated current (A): 63 | | | | | |
| GW 70 407 P | 3P | 156x200x95 | 2 x M25/32 + 2 x M25/32 | 4 insul. a 1/4 turn | 1/6 |
| GW 70 407 NP | 3P+N | 156x200x95 | 2 x M25/32 + 2 x M25/32 | 4 insul. a 1/4 turn | 1/6 |
| GW 70 408 P | 4P | 156x200x95 | 2 x M25/32 + 2 x M25/32 | 4 insul. a 1/4 turn | 1/6 |
| Rated current (A): 80 | | | | | |
| GW 70 419 P | 3P | 156x200x95 | 2 x M25/32 + 2 x M25/32 | 4 insul. a 1/4 turn | 1/6 |
| GW 70 419 NP | 3P+N | 156x200x95 | 2 x M25/32 + 2 x M25/32 | 4 insul. a 1/4 turn | 1/6 |
| GW 70 420 P | 4P | 156x200x95 | 2 x M25/32 + 2 x M25/32 | 4 insul. a 1/4 turn | 1/6 |
| Rated current (A): 100 | | | | | |
| GW 70 421 P | 3P | 236,5x316x178 | | 4 insulation | 1 |
| GW 70 421 NP | 3P+N | 236,5x316x178 | | 4 insulation | 1 |
| GW 70 422 P | 4P | 236,5x316x178 | | 4 insulation | 1 |
| Rated current (A): 125 | | | | | |
| GW 70 423 P | 3P | 236,5x316x178 | | 4 insulation | 1 |
| GW 70 423 NP | 3P+N | 236,5x316x178 | | 4 insulation | 1 |
| GW 70 424 P | 4P | 236,5x316x178 | | 4 insulation | 1 |
| Rated current (A): 160 | | | | | |
| GW 70 425 P | 3P | 236,5x316x178 | | 4 insulation | 1 |
| GW 70 425 NP | 3P+N | 236,5x316x178 | | 4 insulation | 1 |
| GW 70 426 P | 4P | 236,5x316x178 | | 4 insulation | 1 |

NOTE: can be padlocked in ON and OFF position with max. 3 locks with diameter max. 8 mm.

Versions 100-160A allow to install max. 2 x M63 cable glands.

All Lid screws are sealable.

CHARACTERISTICS: Version 3P+N with Neutral not isolated. Versions 100-125-160A 4P with Neutral anticipated.

EMERGENCY VERSIONS


GW 70 436 P

SURFACE-MOUNTING ISOLATOR - EMERGENCY VERSION WITH LOCKABLE RED KNOB - IP66/IP67/IP69

| Code | No. of poles | Outer dim. LxHxD (mm) | Holes entry | Lid screws (no. and type) | Pack Carton |
|-------------------------------|--------------|--------------------------|-------------------------|------------------------------|----------------|
| Rated current (A): 16 | | | | | |
| GW 70 431 P | 2P | 125x150x75,5 | 2 x M20/25 + 2 x M20/25 | 4 insul. a 1/4 turn | 1/16 |
| GW 70 432 P | 3P | 125x150x75,5 | 2 x M20/25 + 2 x M20/25 | 4 insul. a 1/4 turn | 1/16 |
| GW 70 432 NP | 3P+N | 125x150x75,5 | 2 x M20/25 + 2 x M20/25 | 4 insul. a 1/4 turn | 1/16 |
| GW 70 433 P | 4P | 125x150x75,5 | 2 x M20/25 + 2 x M20/25 | 4 insul. a 1/4 turn | 1/16 |
| Rated current (A): 25 | | | | | |
| GW 70 486 P | 2P | 125x150x75,5 | 2 x M20/25 + 2 x M20/25 | 4 insul. a 1/4 turn | 1/16 |
| GW 70 487 P | 3P | 125x150x75,5 | 2 x M20/25 + 2 x M20/25 | 4 insul. a 1/4 turn | 1/16 |
| GW 70 487 NP | 3P+N | 125x150x75,5 | 2 x M20/25 + 2 x M20/25 | 4 insul. a 1/4 turn | 1/16 |
| GW 70 488 P | 4P | 125x150x75,5 | 2 x M20/25 + 2 x M20/25 | 4 insul. a 1/4 turn | 1/16 |
| Rated current (A): 32 | | | | | |
| GW 70 434 P | 2P | 125x150x75,5 | 2 x M20/25 + 2 x M20/25 | 4 insul. a 1/4 turn | 1/16 |
| GW 70 435 P | 3P | 125x150x75,5 | 2 x M20/25 + 2 x M20/25 | 4 insul. a 1/4 turn | 1/16 |
| GW 70 435 NP | 3P+N | 125x150x75,5 | 2 x M20/25 + 2 x M20/25 | 4 insul. a 1/4 turn | 1/16 |
| GW 70 436 P | 4P | 125x150x75,5 | 2 x M20/25 + 2 x M20/25 | 4 insul. a 1/4 turn | 1/16 |
| Rated current (A): 40 | | | | | |
| GW 70 441 P | 2P | 125x150x75,5 | 2 x M20/25 + 2 x M20/25 | 4 insul. a 1/4 turn | 1/16 |
| GW 70 442 P | 3P | 125x150x75,5 | 2 x M20/25 + 2 x M20/25 | 4 insul. a 1/4 turn | 1/16 |
| GW 70 442 NP | 3P+N | 125x150x75,5 | 2 x M20/25 + 2 x M20/25 | 4 insul. a 1/4 turn | 1/16 |
| GW 70 443 P | 4P | 125x150x75,5 | 2 x M20/25 + 2 x M20/25 | 4 insul. a 1/4 turn | 1/16 |
| Rated current (A): 63 | | | | | |
| GW 70 437 P | 3P | 156x200x95 | 2 x M25/32 + 2 x M25/32 | 4 insul. a 1/4 turn | 1/6 |
| GW 70 437 NP | 3P+N | 156x200x95 | 2 x M25/32 + 2 x M25/32 | 4 insul. a 1/4 turn | 1/6 |
| GW 70 438 P | 4P | 156x200x95 | 2 x M25/32 + 2 x M25/32 | 4 insul. a 1/4 turn | 1/6 |
| Rated current (A): 80 | | | | | |
| GW 70 489 P | 3P | 156x200x95 | 2 x M25/32 + 2 x M25/32 | 4 insul. a 1/4 turn | 1/6 |
| GW 70 489 NP | 3P+N | 156x200x95 | 2 x M25/32 + 2 x M25/32 | 4 insul. a 1/4 turn | 1/6 |
| GW 70 490 P | 4P | 156x200x95 | 2 x M25/32 + 2 x M25/32 | 4 insulation | 1/6 |
| Rated current (A): 100 | | | | | |
| GW 70 491 P | 3P | 236,5x316x178 | | 4 insulation | 1 |
| GW 70 491 NP | 3P+N | 236,5x316x178 | | 4 insulation | 1 |
| GW 70 492 P | 4P | 236,5x316x178 | | 4 insulation | 1 |
| Rated current (A): 125 | | | | | |
| GW 70 493 P | 3P | 236,5x316x178 | | 4 insulation | 1 |
| GW 70 493 NP | 3P+N | 236,5x316x178 | | 4 insulation | 1 |
| GW 70 494 P | 4P | 236,5x316x178 | | 4 insulation | 1 |
| Rated current (A): 160 | | | | | |
| GW 70 495 P | 3P | 236,5x316x178 | | 4 insulation | 1 |
| GW 70 495 NP | 3P+N | 236,5x316x178 | | 4 insulation | 1 |
| GW 70 496 P | 4P | 236,5x316x178 | | 4 insulation | 1 |

NOTE: can be padlocked in OFF position with max. 3 locks with diameter max. 8 mm.

Versions 100-160A allow to install max. 2 x M63 cable glands.

All Lid screws are sealable.

CHARACTERISTICS: Version 3P+N with Neutral not isolated. Versions 100-125-160A 4P with Neutral anticipated.

70 RT HP

70 RT HP - SURFACE-MOUNTING ROTARY ISOLATOR IN METAL BOX - IP66

CONTROL VERSIONS



GW 70 406 M

SURFACE-MOUNTING ISOLATOR - CONTROL VERSION WITH LOCKABLE BLACK/GREY KNOB - IP66

| Code | No. of poles | Outer dim. LxHxD (mm) | Holes entry | Pack Carton |
|-------------------------------|--------------|--------------------------|-------------------|----------------|
| Rated current (A): 16 | | | | |
| GW 70 401 M | 2P | 140x165x64 | 4xM20 | 1 |
| GW 70 402 M | 3P | 140x165x64 | 4xM20 | 1 |
| GW 70 402 NM | 3P+N | 140x165x64 | 4xM20 | 1 |
| GW 70 403 M | 4P | 140x165x64 | 4xM20 | 1 |
| Rated current (A): 25 | | | | |
| GW 70 416 M | 2P | 140x165x64 | 2 x M20 + 2 x M25 | 1 |
| GW 70 417 M | 3P | 140x165x64 | 2 x M20 + 2 x M25 | 1 |
| GW 70 417 NM | 3P+N | 140x165x64 | 2 x M20 + 2 x M25 | 1 |
| GW 70 418 M | 4P | 140x165x64 | 2 x M20 + 2 x M25 | 1 |
| Rated current (A): 32 | | | | |
| GW 70 404 M | 2P | 140x165x64 | 2 x M20 + 2 x M25 | 1 |
| GW 70 405 M | 3P | 140x165x64 | 2 x M20 + 2 x M25 | 1 |
| GW 70 405 NM | 3P+N | 140x165x64 | 2 x M20 + 2 x M25 | 1 |
| GW 70 406 M | 4P | 140x165x64 | 2 x M20 + 2 x M25 | 1 |
| Rated current (A): 40 | | | | |
| GW 70 413 M | 2P | 140x165x64 | 2 x M20 + 2 x M25 | 1 |
| GW 70 414 M | 3P | 140x165x64 | 2 x M20 + 2 x M25 | 1 |
| GW 70 414 NM | 3P+N | 140x165x64 | 2 x M20 + 2 x M25 | 1 |
| GW 70 415 M | 4P | 140x165x64 | 2 x M20 + 2 x M25 | 1 |
| Rated current (A): 63 | | | | |
| GW 70 407 M | 3P | 215x252x91 | 4xM32 | 1 |
| GW 70 407 NM | 3P+N | 215x252x91 | 4xM32 | 1 |
| GW 70 408 M | 4P | 215x252x91 | 4xM32 | 1 |
| Rated current (A): 80 | | | | |
| GW 70 419 M | 3P | 215x252x91 | 4xM32 | 1 |
| GW 70 419 NM | 3P+N | 215x252x91 | 4xM32 | 1 |
| GW 70 420 M | 4P | 215x252x91 | 4xM32 | 1 |
| Rated current (A): 100 | | | | |
| GW 70 421 M | 3P | 307x257x121 | | 1 |
| GW 70 421 NM | 3P+N | 307x257x121 | | 1 |
| GW 70 422 M | 4P | 307x257x121 | | 1 |
| Rated current (A): 125 | | | | |
| GW 70 423 M | 3P | 307x257x121 | | 1 |
| GW 70 423 NM | 3P+N | 307x257x121 | | 1 |
| GW 70 424 M | 4P | 307x257x121 | | 1 |
| Rated current (A): 160 | | | | |
| GW 70 425 M | 3P | 307x257x121 | | 1 |
| GW 70 425 NM | 3P+N | 307x257x121 | | 1 |
| GW 70 426 M | 4P | 307x257x121 | | 1 |

NOTE: can be padlocked in ON and OFF position with max. 3 locks with diameter max. 8 mm.

Versions 100-160A allow to install max. 2 x M63 cable glands.

CHARACTERISTICS: Version 3P+N with Neutral not isolated. Versions 100-125-160A 4P with Neutral anticipated.

EMERGENCY VERSIONS


GW 70 436 M

SURFACE-MOUNTING ISOLATOR - EMERGENCY VERSION WITH LOCKABLE RED/YELLOW - IP66

| Code | No. of poles | Outer dim. LxHxD (mm) | Holes entry | Pack Carton |
|-------------------------------|--------------|--------------------------|-------------------|----------------|
| Rated current (A): 16 | | | | |
| GW 70 431 M | ⊗ 2P | 140x165x64 | 4xM20 | 1 |
| GW 70 432 M | ⊗ 3P | 140x165x64 | 4xM20 | 1 |
| GW 70 432 NM | ⊗ 3P+N | 140x165x64 | 4xM20 | 1 |
| GW 70 433 M | ⊗ 4P | 140x165x64 | 4xM20 | 1 |
| Rated current (A): 25 | | | | |
| GW 70 486 M | ⊗ 2P | 140x165x64 | 2 x M20 + 2 x M25 | 1 |
| GW 70 487 M | ⊗ 3P | 140x165x64 | 2 x M20 + 2 x M25 | 1 |
| GW 70 487 NM | ⊗ 3P+N | 140x165x64 | 2 x M20 + 2 x M25 | 1 |
| GW 70 488 M | ⊗ 4P | 140x165x64 | 2 x M20 + 2 x M25 | 1 |
| Rated current (A): 32 | | | | |
| GW 70 434 M | ⊗ 2P | 140x165x64 | 2 x M20 + 2 x M25 | 1 |
| GW 70 435 M | ⊗ 3P | 140x165x64 | 2 x M20 + 2 x M25 | 1 |
| GW 70 435 NM | ⊗ 3P+N | 140x165x64 | 2 x M20 + 2 x M25 | 1 |
| GW 70 436 M | ⊗ 4P | 140x165x64 | 2 x M20 + 2 x M25 | 1 |
| Rated current (A): 40 | | | | |
| GW 70 441 M | ⊗ 2P | 140x165x64 | 2 x M20 + 2 x M25 | 1 |
| GW 70 442 M | ⊗ 3P | 140x165x64 | 2 x M20 + 2 x M25 | 1 |
| GW 70 442 NM | ⊗ 3P+N | 140x165x64 | 2 x M20 + 2 x M25 | 1 |
| GW 70 443 M | ⊗ 4P | 140x165x64 | 2 x M20 + 2 x M25 | 1 |
| Rated current (A): 63 | | | | |
| GW 70 437 M | ⊗ 3P | 215x252x91 | 4xM32 | 1 |
| GW 70 437 NM | ⊗ 3P+N | 215x252x91 | 4xM32 | 1 |
| GW 70 438 M | ⊗ 4P | 215x252x91 | 4xM32 | 1 |
| Rated current (A): 80 | | | | |
| GW 70 489 M | ⊗ 3P | 215x252x91 | 4xM32 | 1 |
| GW 70 489 NM | ⊗ 3P+N | 215x252x91 | 4xM32 | 1 |
| GW 70 490 M | ⊗ 4P | 215x252x91 | 4xM32 | 1 |
| Rated current (A): 100 | | | | |
| GW 70 491 M | ⊗ 3P | 307x257x121 | | 1 |
| GW 70 491 NM | ⊗ 3P+N | 307x257x121 | | 1 |
| GW 70 492 M | ⊗ 4P | 307x257x121 | | 1 |
| Rated current (A): 125 | | | | |
| GW 70 493 M | ⊗ 3P | 307x257x121 | | 1 |
| GW 70 493 NM | ⊗ 3P+N | 307x257x121 | | 1 |
| GW 70 494 M | ⊗ 4P | 307x257x121 | | 1 |
| Rated current (A): 160 | | | | |
| GW 70 495 M | ⊗ 3P | 307x257x121 | | 1 |
| GW 70 495 NM | ⊗ 3P+N | 307x257x121 | | 1 |
| GW 70 496 M | ⊗ 4P | 307x257x121 | | 1 |

NOTE: can be padlocked in OFF position with max. 3 locks with diameter max. 8 mm.
Versions 100-160A allow to install max. 2 x M63 cable glands.

CHARACTERISTICS: Version 3P+N with Neutral not isolated. Versions 100-125-160A 4P with Neutral anticipated.

70 RT HP

70 RT HP - ROTARY ISOLATORS FOR AUTOMATION AND DISTRIBUTION BOARDS

VERSIONS FOR BOARDS

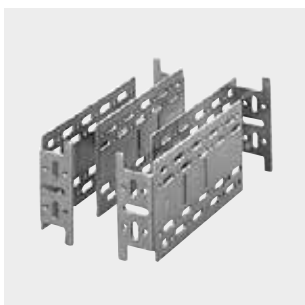


GW 70 001

ISOLATOR SWITCHES FOR DISTRIBUTION BOARD WITH PADLOCKABLE RED/YELLOW KNOB AND CONTROL TRANSMISSION SHAFT

| Code | No. of poles | No. of modules EN 50022 | Regulation field | Pack Carton |
|------------------------------|--------------|-------------------------|------------------|-------------|
| Rated current (A): 16 | | | | |
| GW 70 001 | 2 | 4 | 87-145 mm | 1/10 |
| GW 70 002 | 3 | 4 | 87-145 mm | 1/10 |
| GW 70 003 | 4 | 4 | 87-145 mm | 1/10 |
| Rated current (A): 32 | | | | |
| GW 70 004 | 2 | 4 | 87-145 mm | 1/10 |
| GW 70 005 | 3 | 4 | 87-145 mm | 1/10 |
| GW 70 006 | 4 | 4 | 87-145 mm | 1/10 |
| Rated current (A): 63 | | | | |
| GW 70 007 | 3 | 5 | 114-177 mm | 1/5 |
| GW 70 008 | 4 | 5 | 114-177 mm | 1/5 |

CHARACTERISTICS: the regulation field can be obtained by cutting the shaft supplied.



GW 70 009

GALVANIZED STEEL EXTENDING BRACKETS FOR REAR FIXING

| Code | For isolator | Regulation field | Pack Carton |
|------------------------------|-----------------|--------------------------------------|-------------|
| Rated current (A): 16 | | | |
| GW 70 009 | 16A - 32A - 63A | 117-305mm (16-32A) - 144-337mm (63A) | 1/10 |

CHARACTERISTICS: the regulation field can be obtained by cutting both the shaft supplied and the extension brackets at the references shown.

ACCESSORIES SUPPLIED: self-tapping screw kit.

VERSION FOR FIXING ON DIN RAIL



GW 70 203

ISOLATOR SWITCHES FOR DIN RAIL WITH BLACK KNOB

| Code | No. of poles | No. of modules EN 50022 | Pack Carton |
|------------------------------|--------------|-------------------------|-------------|
| Rated current (A): 16 | | | |
| GW 70 201 | 2 | 4 | 1/30 |
| GW 70 202 | 3 | 4 | 1/30 |
| GW 70 203 | 4 | 4 | 1/30 |
| Rated current (A): 32 | | | |
| GW 70 204 | 2 | 4 | 1/24 |
| GW 70 205 | 3 | 4 | 1/24 |
| GW 70 206 | 4 | 4 | 1/24 |
| Rated current (A): 63 | | | |
| GW 70 207 | 3 | 5 | 1/12 |
| GW 70 208 | 4 | 5 | 1/12 |

COMPLEMENTARY ITEMS



GW 70 026

AUXILIARY CONTACTS

| Code | For isolator | Type of contact | Pack Carton |
|-----------|-----------------------------------------|-----------------|-------------|
| GW 70 026 | 16 A - 25 A - 32 A - 40 A - 63 A - 80 A | 1 NO + 1 NC | 1/12 |
| GW 70 027 | 16 A - 25 A - 32 A - 40 A - 63 A - 80 A | 2 NO | 1/12 |
| GW 70 028 | 16 A - 25 A - 32 A - 40 A - 63 A - 80 A | 2 NC | 1/12 |
| GW 70 029 | 100 A - 125 A - 160 A | 1 NO + 1 NC | 1/12 |

NOTE: it's possible to install:

- max. 2 (1 x side) aux contacts GW70026/GW70027/GW70028 on isolator up to 80A;

- max. 4 aux contacts GW70029 on isolator 100-125-160A (max 1. contatto ausiliario installabile su sezionatori 160A 4P);

- max. 1 aux contacts GW70029 on isolator 160A.

70 ATEX - DISCONNECTING SWITCHES IN PAINTED ALUMINIUM BOX - ZONE 22 (D)

CONTROL VERSIONS IN ALUMINIUM ALLOY BOX



GW 70 451

ATEX ROTARY WALL-MOUNTING SWITCHES FOR CONTROL, WITH BLACK KNOB - IP65

| Code | No. of poles | Power AC3 400V (kW) | Outer dim. LxHxD (mm) | Pack Carton |
|-------------------------------|--------------|---------------------|-----------------------|-------------|
| Rated current (A): 16 | | | | |
| GW 70 451 | 2 | 6 (230V) | 140x165x135 | 1 |
| GW 70 452 | 3 | 10 | 140x165x135 | 1 |
| GW 70 453 | 4 | 10 | 140x165x135 | 1 |
| Rated current (A): 32 | | | | |
| GW 70 454 | 2 | 9 (230V) | 140x165x135 | 1 |
| GW 70 455 | 3 | 15 | 140x165x135 | 1 |
| GW 70 456 | 4 | 15 | 140x165x135 | 1 |
| Rated current (A): 63 | | | | |
| GW 70 457 | 3 | 18.5 | 140x165x135 | 1 |
| GW 70 458 | 4 | 18.5 | 140x165x135 | 1 |
| Rated current (A): 100 | | | | |
| GW 70 459 | 3 | 30 | 215x252x94 | 1 |
| GW 70 460 | 4 | 30 | 215x252x94 | 1 |

ACCESSORIES SUPPLIED: cable gland M25 for 16A versions, M32 for 32A versions, and M40 for 63-100A.

CHARACTERISTICS: box in aluminium alloy painted in Grey RAL 7037.

ATEX Classification: Equipment-group II Category 3D.

Dust protection mode: tc.

Room temperature: -20°C <= Ta <= +40 °C.

NOTES: Can be padlocked with 3 locks in the OFF position and one in the ON position.

EMERGENCY VERSIONS IN ALUMINIUM ALLOY BOX



GW 70 471

ATEX ROTARY WALL-MOUNTING SWITCHES FOR EMERGENCY, WITH RED KNOB - IP65

| Code | No. of poles | Power AC3 400V (kW) | Outer dim. LxHxD (mm) | Pack Carton |
|-------------------------------|--------------|---------------------|-----------------------|-------------|
| Rated current (A): 16 | | | | |
| GW 70 471 | 2 | 6 (230V) | 140x165x135 | 1 |
| GW 70 472 | 3 | 10 | 140x165x135 | 1 |
| GW 70 473 | 4 | 10 | 140x165x135 | 1 |
| Rated current (A): 32 | | | | |
| GW 70 474 | 2 | 9 (230V) | 140x165x135 | 1 |
| GW 70 475 | 3 | 15 | 140x165x135 | 1 |
| GW 70 476 | 4 | 15 | 140x165x135 | 1 |
| Rated current (A): 63 | | | | |
| GW 70 477 | 3 | 18.5 | 140x165x135 | 1 |
| GW 70 478 | 4 | 18.5 | 140x165x135 | 1 |
| Rated current (A): 100 | | | | |
| GW 70 479 | 3 | 30 | 215x252x94 | 1 |
| GW 70 480 | 4 | 30 | 215x252x94 | 1 |

ACCESSORIES SUPPLIED: cable gland M25 for 16A versions, M32 for 32A versions, and M40 for 63-100A.

CHARACTERISTICS: box in aluminium alloy painted in Grey RAL 7037.

ATEX Classification: Equipment-group II Category 3D.

Dust protection mode: tc.

Room temperature: -20°C <= Ta <= +40 °C.

NOTES: Can be padlocked with 3 locks in the OFF position.

70 RT HP

70 RT HP - ROTARY ISOLATOR SWITCHES

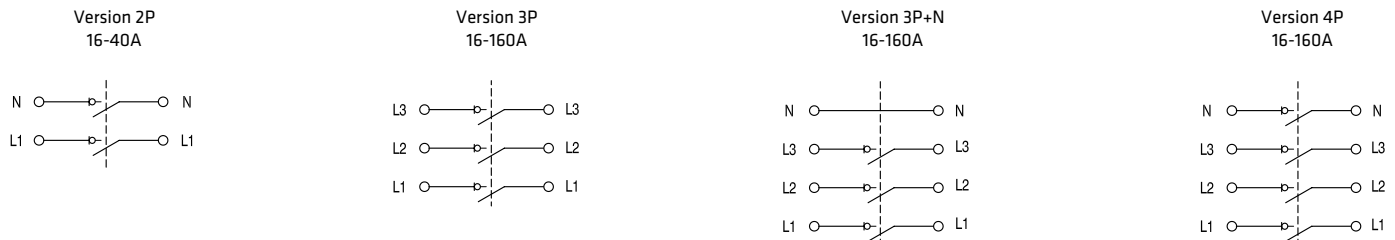
Isolator switches for continuous operation, in version for emergency or for control, assembled in boards and in watertight boxes.
Complying with standard EN 60947-3.

Electrical data

| Rated current | | | 16A | 25A | 32A | 40A | 63A | 80A | 100 | 125 | 160 | |
|---------------------------------------------------------------------|-----------------------------------------------------------------------------------------|-----------------|-----|-----|-----|-----|-----|-----|------|------|------|-----|
| Rated insulation voltage Ui | | VAC | 690 | 690 | 690 | 690 | 690 | 690 | 1000 | 1000 | 1000 | |
| Rated impulse withstand voltage Uimp | | kV | 4 | 4 | 4 | 4 | 4 | 4 | 8 | 8 | 8 | |
| Thermal current Ith/Ithe | | A | 16 | 25 | 32 | 40 | 63 | 80 | 100 | 125 | 160 | |
| Rated operational current IEC | AC21A Resistive loads, including moderate overloads | 415V | A | 16 | 25 | 32 | 40 | 63 | 80 | 100 | 125 | 160 |
| | AC22A Mixed resistive and inductive loads, including moderate overloads | 415V | A | 16 | 25 | 32 | 40 | 63 | 80 | 100 | 125 | 160 |
| | AC23A Switching of motor loads or other highly inductive loads (3 phases/3 poles) | 415V | A | 16 | 25 | 32 | 40 | 63 | 80 | 100 | 125 | 125 |
| Rated short time withstand current Icw (1s) | | A | 160 | 250 | 320 | 400 | 630 | 800 | 2500 | 2500 | 2500 | |
| Conditional short circuit current | | 415V | 10 | 10 | 10 | 10 | 6 | 6 | 10 | 10 | 10 | |
| Associate fuse size for conditional short circuit current - Type gG | | FAeff | 16 | 25 | 32 | 40 | 63 | 80 | 100 | 125 | 160 | |
| WIRING* | | | | | | | | | | | | |
| Tightening torque | | Nm | 1 | | | | 3 | | 6 | | | |
| Max. flexible wire | | mm ² | 10 | | | | 25 | | 70 | | | |
| Max. rigid wire | | mm ² | 10 | | | | 25 | | 70 | | | |

* The surface of the wiring terminals is knurled to improve the grip of the stripped cable inserted into the terminal and to facilitate wiring operations.



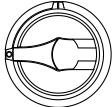
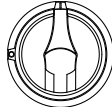
Wiring diagram



BEHAVIOUR WITH CHEMICAL AND ATMOSPHERIC AGENTS



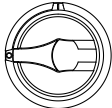
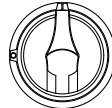
| Saline solution | Acids | | Bases | | Solvents | | | | Mineral oil | UV rays |
|-----------------|--------------------|-----------|---------------|--------------------|--------------------|---------------|---------------|---------------------|-------------|-----------|
| | Concentrated | Diluted | Concentrated | Diluted | Hexane | Benzol | Acetone | Alcohol | | |
| Resistant | Limited resistance | Resistant | Not resistant | Limited resistance | Limited resistance | Not resistant | Not resistant | Resistenza limitata | Resistant | Resistant |

Mechanical data - Surface mounting isolator in plastic boxes

| In (A) | | 16 | 25 | 32 | 40 | 63 | 80 | 100 | 125 | 160 |
|-------------------------------------|-----------------------------------------------------------------------------------|--------------------------------------------|------------------------------------------------------------------------------------|----|-------------------------------------------------------------------------------------|----|-------------------------------------------------------------------------------------|-----|-----------------------|-----|
| Poles | 2P | x | x | x | x | | | | | |
| | 3P | x | x | x | x | x | x | x | x | x |
| | 3P+N | x | x | x | x | x | x | x | x | x |
| | 4P | x | x | x | x | x | x | x | x | x |
| Degree of protection | | IP66/IP67/IP69 | | | | | | | | |
| Impact resistance | | IK08 | | | | | | | | |
| Protection against indirect contact | | double insulation <input type="checkbox"/> | | | | | | | | |
| Thermo-pressure with ball (°C) | | 125 (device); 80 (box) | | | | | | | | |
| Glow Wire Test (°C) | | 960 (device); 650 (box) | | | | | | | | |
| Range of temperature | | -25; +60 | | | | | | | | |
| Housable auxiliary contacts | | Max. 2 (1 per sides) | | | | | Max. 4 (2 per sides) | | Max. 4* (2 per sides) | |
| Holes entry | Upper sides | 2 x M20/M25 | | | 2 x M25/M32 | | - | | | |
| | Lower sides | 2 x M20/M25 | | | 2 x M25/M32 | | - | | | |
| Knob position | Open - OFF position | | Close - ON position | | Open - OFF position | | Close - ON position | | | |
| |  | |  | |  | |  | | | |

(*) For version 160A 4P the max number of auxiliary contact that can be housable is 1.

Mechanical data - Surface mounting isolator in metal boxes

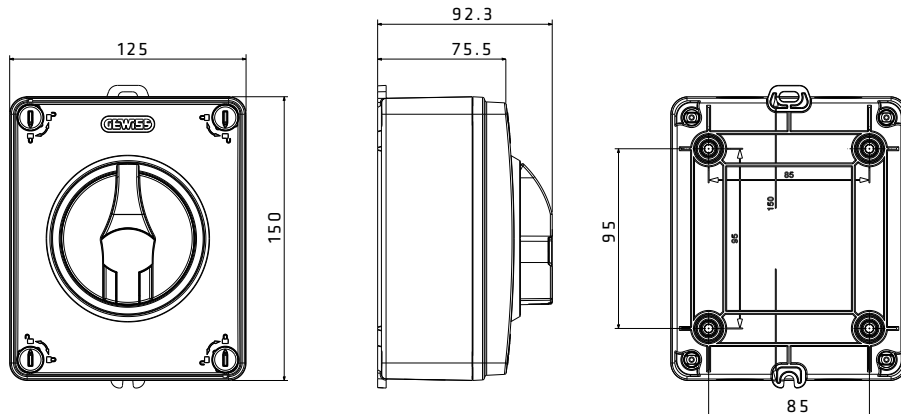
| In (A) | | 16 | 25 | 32 | 40 | 63 | 80 | 100 | 125 | 160 | |
|--------------------------------|-------------------------------------------------------------------------------------|-------------------------|--------------------------------------------------------------------------------------|----|---------------------------------------------------------------------------------------|---------|---------------------------------------------------------------------------------------|-----|-----------------------|-----|--|
| Poles | 2P | x | x | x | x | | | | | | |
| | 3P | x | x | x | x | x | x | x | x | x | |
| | 3P+N | x | x | x | x | x | x | x | x | x | |
| | 4P | x | x | x | x | x | x | x | x | x | |
| Degree of protection | | IP66 | | | | | | | | | |
| Impact resistance | | IK10 (box); IK08 (knob) | | | | | | | | | |
| Thermo-pressure with ball (°C) | | - | | | | | | | | | |
| Glow Wire Test (°C) | | 650 (knob) | | | | | | | | | |
| Range of temperature | | -25; +60 | | | | | | | | | |
| Housable auxiliary contacts | | Max. 2 (1 per sides) | | | | | Max. 4 (2 per sides) | | Max. 4* (2 per sides) | | |
| Holes entry | Upper sides | 2 x M20 | 2 x M20 | | | 2 x M32 | | - | | | |
| | Lower sides | 2 x M20 | 2 x M25 | | | 2 x M32 | | - | | | |
| Knob position | Open - OFF position | | Close - ON position | | Open - OFF position | | Close - ON position | | | | |
| |  | |  | |  | |  | | | | |

(*) For version 160A 4P the max number of auxiliary contact that can be housable is 1.

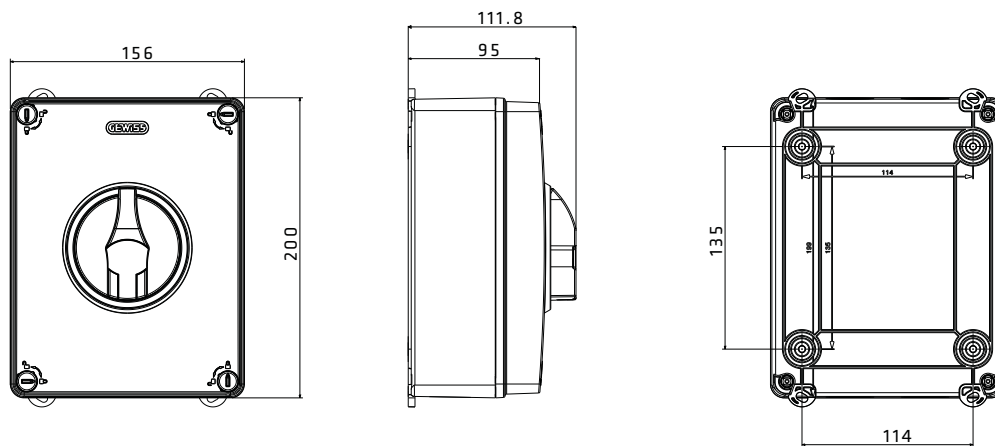
Dimension tables

SURFACE-MOUNTING ISOLATOR IN PLASTIC BOXES

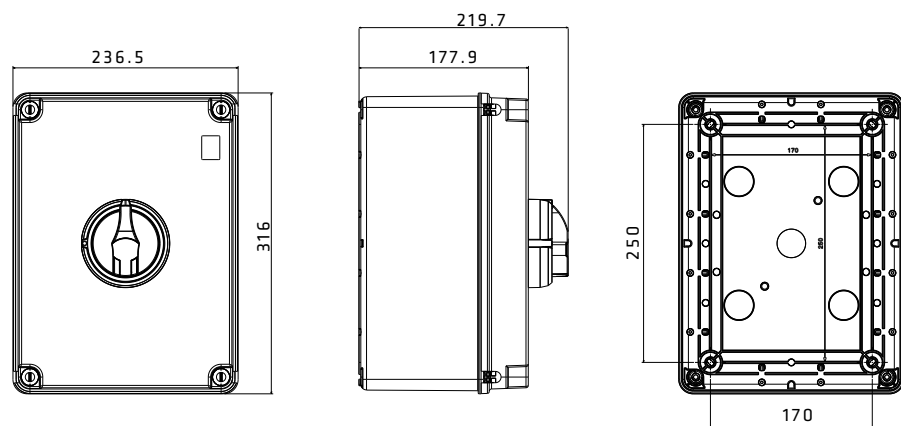
ISOLATOR 16 - 25 - 32 - 40A



ISOLATOR 63 - 80A



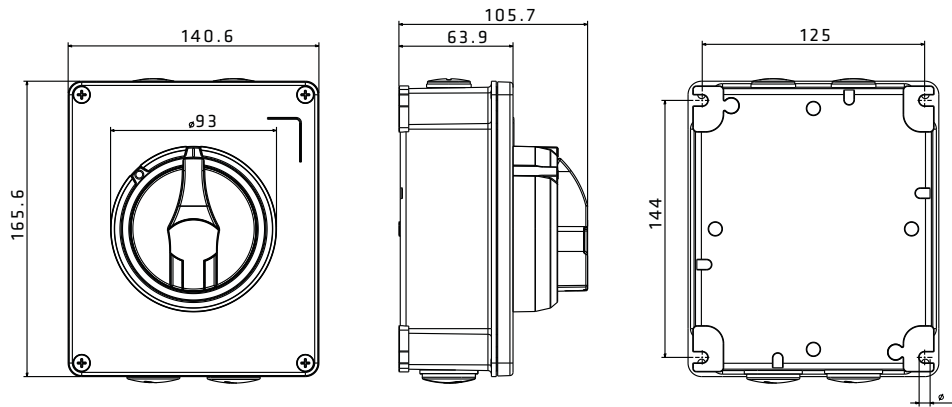
ISOLATOR 100 - 125 - 160A



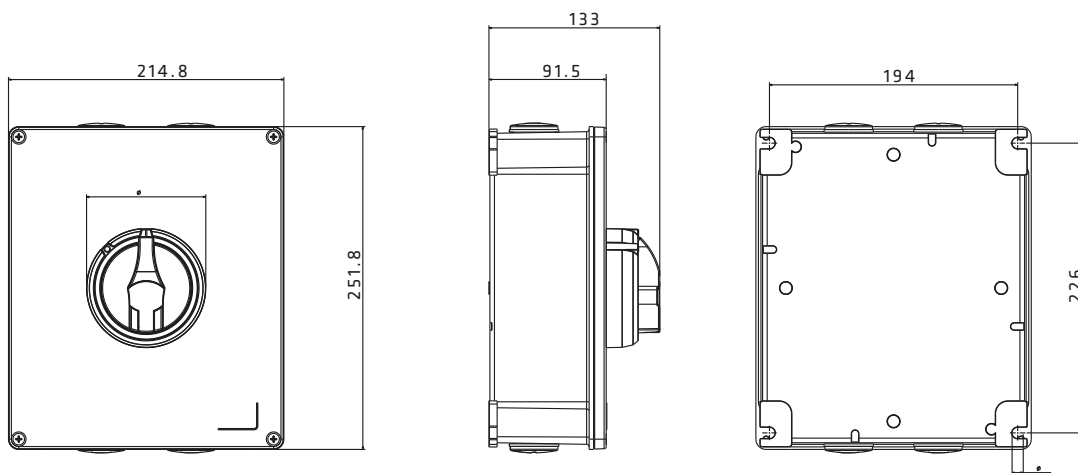
Dimension tables

SURFACE-MOUNTING ISOLATOR IN METALLIC BOXES

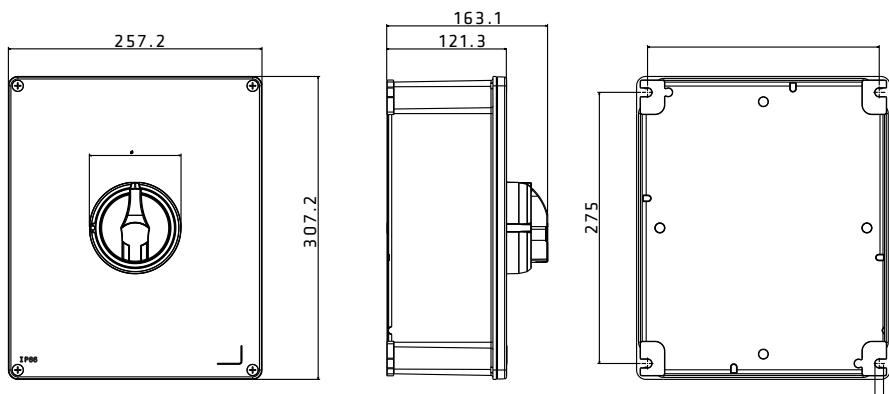
ISOLATOR 16 - 25 - 32 - 40A



ISOLATOR 63 - 80A

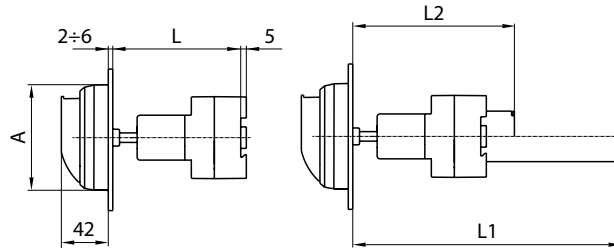


ISOLATOR 100 - 125 - 160A



Dimension tables

BOARD-MOUNTING ISOLATOR: DOOR-LOCKING VERSION

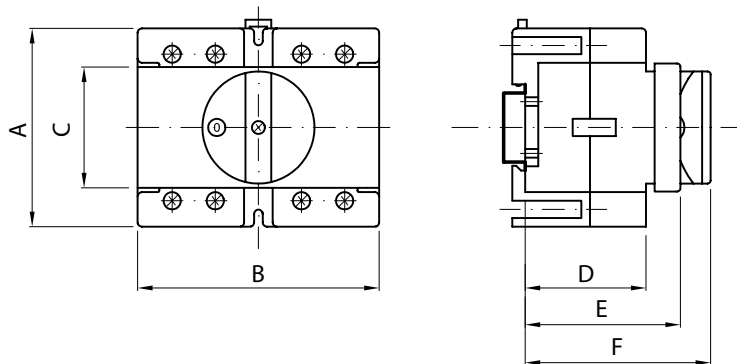


| One-way switch | WITHOUT BRACKETS | | WITH BRACKETS | | A |
|----------------|------------------|---------------------|--------------------------|----------------------------|------|
| | Supplied with L | Adjustable up to L* | L1 max length obtainable | L2 min length obtainable** | |
| 16A - 32A | 145 | 87 | (145+160) 305 | (87+30) 117 | ø 94 |
| 63A - 80A | 177 | 114 | (117+160) 337 | (114+30) 144 | ø 94 |

* Position obtainable by cutting the shaft supplied.

** Position obtainable by cutting both the shaft supplied, and the brackets, in the points shown.

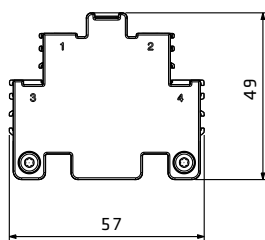
BOARD-MOUNTING ROTARY SWITCH: VERSION FOR ASSEMBLY ON DIN RAIL EN 50022



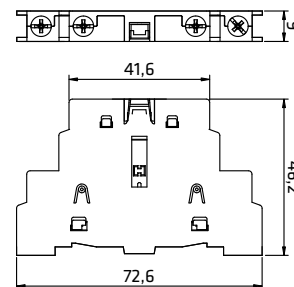
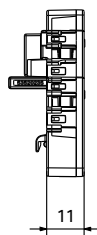
| Tipo | A | B | C | D | E | F |
|----------|----|------|----|----|----|----|
| 16 - 32A | 55 | 71 ● | 45 | 37 | 53 | 68 |
| 63 A | 73 | 89 ▲ | 45 | 44 | 56 | 68 |

★ Occupies 3 modules (17.5mm). ● Occupies 4 modules (17.5mm). ▲ Occupies 5 modules (17.5mm).

AUXILIARY CONTACT



For isolator 16 - 25 - 32 - 40 - 63 - 80A



For isolator 100 - 125 - 160A

70 RT ATEX DISCONNECTORS - METAL BOX

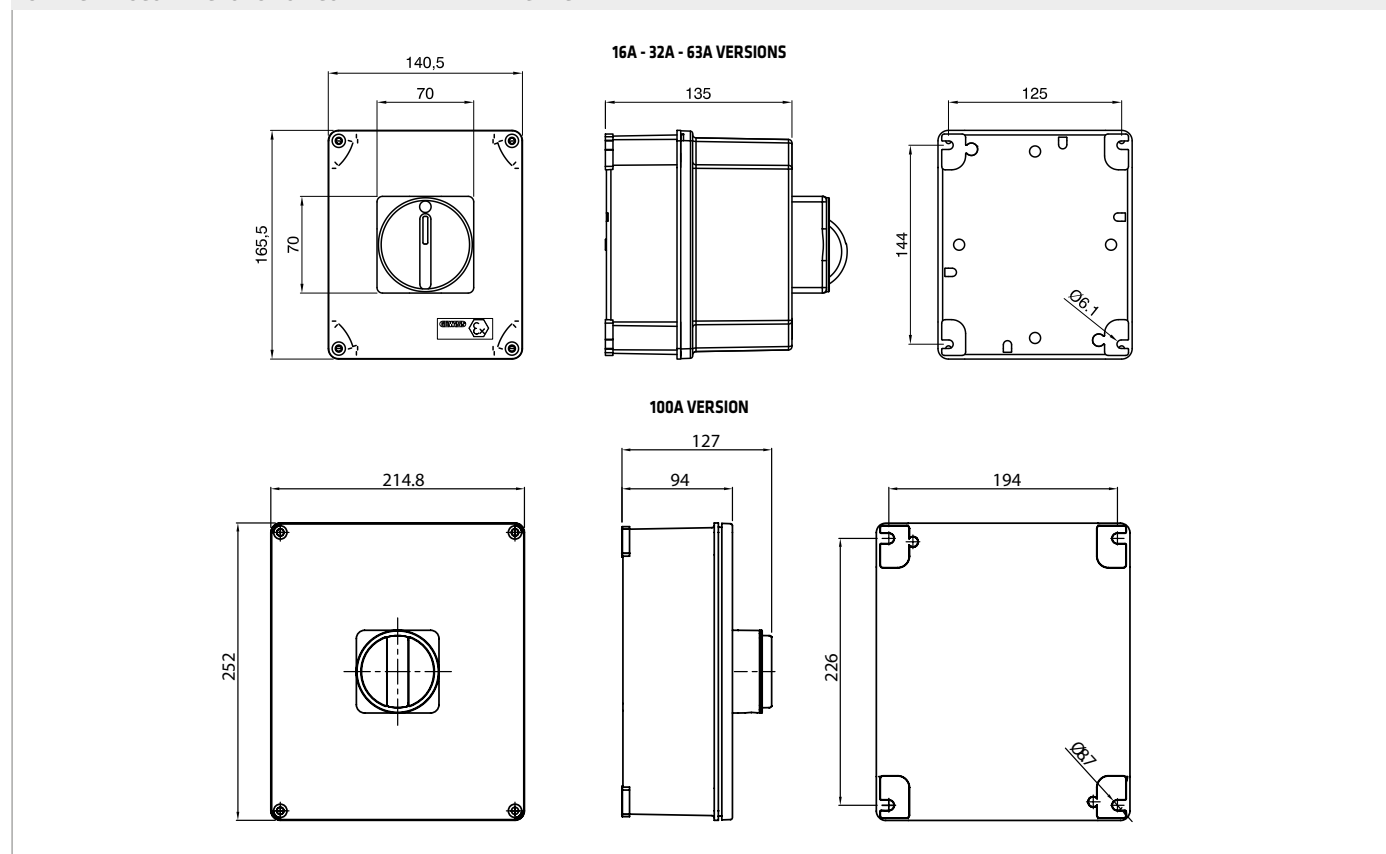
Switch disconnectors for command and emergency in aluminium box painted in Grey Ral 7037, suitable for use in **ZONE 22(D)** with rated current of 16-32-63-100A. Standard: EN 60947-3, EN 61241-0, EN60079-0, EN60079-31 - Dir. ATEX 94/9/CE.

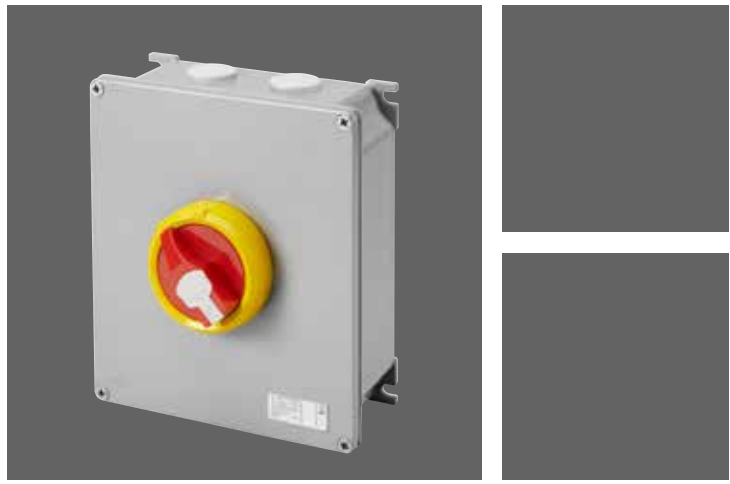
| TECHNICAL DATA | | | | | 16A | 32A | 63A | 100A |
|------------------------------------------|-----------------|-----------------|-----------------|----------|--------|--------|-------|------|
| Vn insulation | Ui (IEC947-3) | | V | 800 | | | | |
| Vn of impulse withstand | Uimp (IEC947-3) | | kV | 8 | | | | |
| In thermal | In air | Ith (IEC947-3) | A | 25 | 40 | 63 | 100 | |
| | In box | Ithe (IEC947-3) | A | 16 | 32 | 63 | 95 | |
| In use | AC21A | Ie (IEC947-3) | 400V | A | 16 | 32 | 63 | 95 |
| | AC22A | | 400V | A | 16 | 32 | 63 | 95 |
| Max power with three-phase motors | AC23A | IEC947-3 | 400V | kW | 7 | 14 | 28 | 42 |
| In short lifespan | | Icw | | A | 400 | 800 | 1500 | 1500 |
| In cond. of short-circuiting | | IEC947-3 | | kAeff | 10 | 10 | 15 | 15 |
| CONNECTABLE SECTIONS | | | | | | | | |
| Rigid cables | min-max | | mm ² | 1,5-16 | 1,5-16 | 2,5-35 | 10-70 | |
| | | | AWG | 16-6 | 16-6 | 14-3 | 8-00 | |
| Flexible cables | min-max | | mm ² | 1,5-16 | 1,5-16 | 2,5-35 | 10-70 | |
| | | | AWG | 16-6 | 16-6 | 14-3 | 8-00 | |
| CONDITIONS OF USE | | | | | | | | |
| Ambient temperature | of storage | | °C | -30; +70 | | | | |
| | of operation | | °C | -25; +55 | | | | |

Note: for the behaviour with chemical and atmospheric agents, contact SAT Customer Service (+ 39 035/946111).

Dimension tables

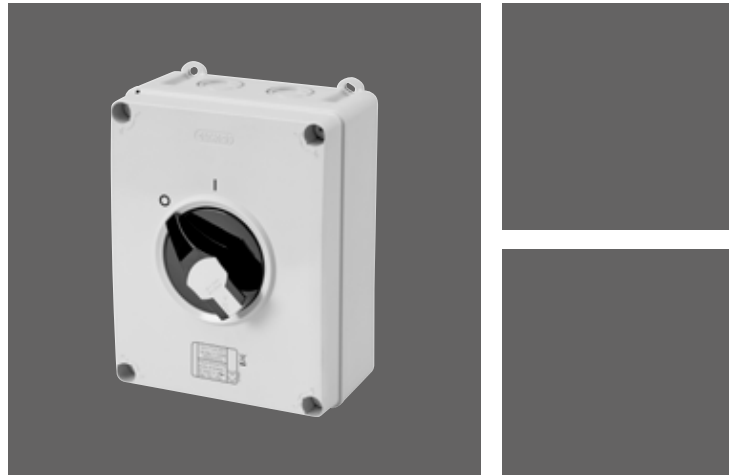
SWITCH DISCONNECTORS FOR COMMAND AND EMERGENCY





GEWISS

Visit www.gewiss.com and follow us on:



GEWISS S.p.A.

Registered Office: Via A. Volta, 1
24069 CENATE SOTTO BG - Italy
T. +39 035 946 111 - F. +39 035 945 222
gewiss@gewiss.com - www.gewiss.com

Sole Shareholder Company - Bergamo Register of Companies/VAT/Tax Code (IT) 00385040167
REA 107496 - Share capital 60,000,000.00 EUR fully paid up.

PB 22480/EN - 09.19

